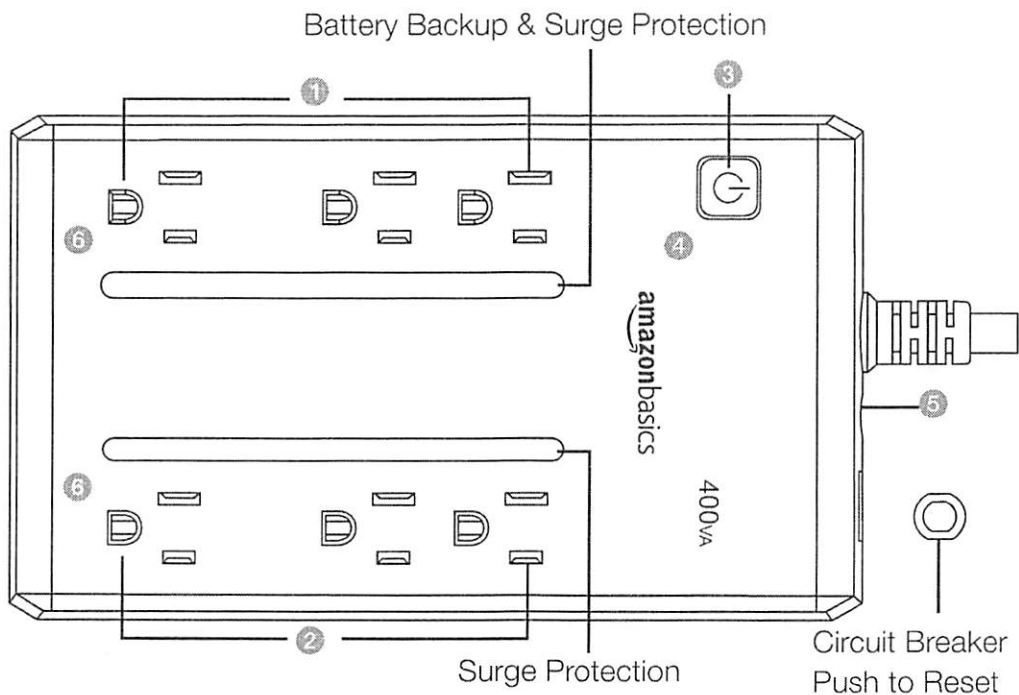


## Standby UPS 400VA 255W, 6 Outlets

### Contents:

Before getting started, ensure the package contains the following components:

### Description



# Basic Operation

## 1. Battery and Surge Protected Outlets

The unit has three battery and surge protected outlets to ensure temporary uninterrupted operation of your equipment during a power failure. **(Do not plug a laser printer, paper shredder, copier, space heater, vacuum, sump pump or other large electrical device into the “Battery and Surge Protected Outlets.” The power demands of these devices will overload and possibly damage the unit.)**

## 2. Full-Time Surge Protection Outlets

The unit has three surge suppression outlets to provide surge and line noise protection.

## 3. Power Switch

To turn the UPS on, press the power button for approximately 2 seconds - you will hear a constant tone (1 second) - and release after a short beep.

To turn the UPS off, press the power button for approximately 2 seconds - you will hear a constant tone (1 second) - and release after two short beeps.

Quickly press the POWER button twice can turn off or turn on the audible Alarm. The default setting is for the Alarm On.

To turn the alarm off, press the power button twice. You will hear two short beeps when the alarm is turned off.

To turn the alarm back on, press the power button twice. You will hear a short beep when the alarm is turned on.

**\*When the alarm is turned off, no audible notification when the UPS reaches a (low) battery state.**

## 4. Power On Indicator (green)

This LED is illuminated when the utility power is normal and the UPS outlets are providing power, free of surges and spikes. When In the event of a complete power loss, severe brownout, or over-voltage, the UPS will turn to battery mode and the LED will flash.

Please refer to the following “Definitions for Illumination LED Indicators” for more information.

## 5. Circuit Breaker

Located on the side of the UPS, the circuit breaker serves to provide overload and fault protection.

## 6. Outlets Designed for AC Adapters

The UPS unit has two widely-spaced outlets, so AC power adapters can be plugged into the UPS without overlapping or blocking adjacent outlets.

# Important Safety Warnings

## (SAVE THESE INSTRUCTIONS)

- This manual contains important instructions that should be followed during installation and maintenance of the UPS and batteries.
- **CAUTION!** To prevent the risk of fire or electric shock, install in a temperature and humidity controlled indoor area free of conductive contaminants. (Please see specifications for acceptable temperature and humidity range).
- **CAUTION!** To reduce the risk of electric shock, do not remove the cover. There are no user serviceable parts inside.
- **CAUTION!** Hazardous live parts inside can be energized by the battery even when the AC input power is disconnected.
- **CAUTION!** The UPS must be connected to an AC power outlet with fuse or circuit breaker protection. Do not plug into an outlet that is not grounded. If you need to de-energize this equipment, turn off and unplug the unit.
- **CAUTION!** To avoid electrical shock, turn off the unit and unplug it from the AC power source before servicing the battery or equivalent.
- **CAUTION!** Not for use in a computer room as defined in the Standard for the Protection of Electronic Computer/Data Processing Equipment, ANSI/NFPA 75.
- **CAUTION!** To reduce the risk of fire, connect only to a circuit provided with 20 amperes maximum branch circuit over current protection in accordance with the National Electric Code, ANSI/NFPA 70.
- **CAUTION!** Risk of explosion if battery is replaced by an incorrect type. Batteries shall be installed by service personnel, and the replacement of batteries with a suitable recommended type. Dispose of used batteries according to the instructions.
- **CAUTION!** Do not dispose of batteries in a fire. The batteries may explode.
- **CAUTION!** Do not open or mutilate batteries. Released electrolyte is harmful to the skin and eyes. It may be toxic.
- **DO NOT USE FOR MEDICAL OR LIFE SUPPORT EQUIPMENT!** AmazonBasics does not sell products for life support or medical applications. Do not use in any circumstance that would affect operation and safety of life support equipment, any medical applications or patient care.
- **DO NOT USE WITH OR NEAR AQUARIUMS!** To reduce the risk of fire or electric shock, do not use with or near an aquarium. Condensation from the aquarium can cause the unit to short out.
- **DO NOT USE THE UPS ON ANY TRANSPORTATION!** To reduce the risk of fire or electric shock, do not use the unit on any transportation such as airplanes or ships. The effect of shock or vibration caused during transit and the damp environment can cause the unit to short out.
- **WARNING!** This product contains chemicals known to State of California to cause cancer and birth defects or other reproductive harm.

# Installing Your UPS System

## Unpacking

Inspect the UPS upon receipt. The box should contain the following:

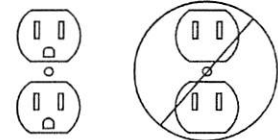
- (a) UPS unit (b) User's manual

## How To Determine The Power Requirements Of Your Equipment

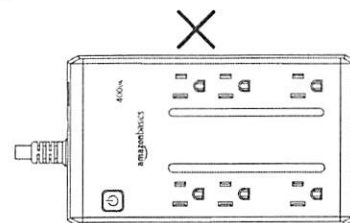
1. Ensure that the equipment plugged into the UPS does not exceed the UPS unit's rated capacity (400 VA/255 W). If the rated capacities of the unit are exceeded, an overload condition may occur and cause the UPS unit to shut down or the circuit breaker to trip.
2. There are many factors that can affect the amount of power that your computer system will require. For optimal system performance, keep the load below 80% of the unit's rated capacity.

## Hardware Installation Guide



1. Your new UPS may be used immediately upon receipt. However, after receiving a new UPS, to ensure the battery's maximum charge capacity, it is recommended that you charge the battery for at least 8 hours. Your UPS is equipped with an auto-charge feature. When the UPS is plugged into an AC outlet, the battery will automatically charge whenever the UPS is turned on or turned off.
2. With the UPS unit turned off and unplugged, connect your equipment requiring battery backup into the battery power supplied outlets. Plug the other peripheral equipment (printer, scanner, speakers) into the full-time surge protection outlets. **Do not plug a laser printer, paper shredder, copier, space heater, vacuum, sump pump or other large electrical device into the "Battery and Surge Protected Outlets". The power demands of these devices will overload and possibly damage the unit.**
3. Plug the UPS into a 2 pole, 3 wire grounded receptacle (wall outlet). Make sure the wall branch outlet is protected by a fuse or circuit breaker and does not service equipment with large electrical demands (e.g. air conditioner, refrigerator, copier, etc...). The warranty prohibits the use of extension cords, outlet strips, and surge strips in conjunction with the UPS.
4. Press the power switch to turn the unit on. The Power On indicator will illuminate green and the unit will "beep" twice.



5. If an overload is detected, an audible alarm will be sounded and the unit will emit long beep.  
To correct this, turn the UPS off and unplug at least one piece of equipment from the battery power supplied outlets. Make sure the circuit breaker is depressed and then turn the UPS on.
6. To maintain optimal battery charge, leave the UPS plugged into an AC outlet at all times.
7. To store the UPS for an extended period, cover it and store with the battery fully charged. While in storage, recharge the battery every three months to ensure battery life.
8. For pluggable equipment, the socket-outlet shall be installed near the equipment and shall be easily accessible.
9. Do not lie or mount the UPS down on its side to ensure the battery life.



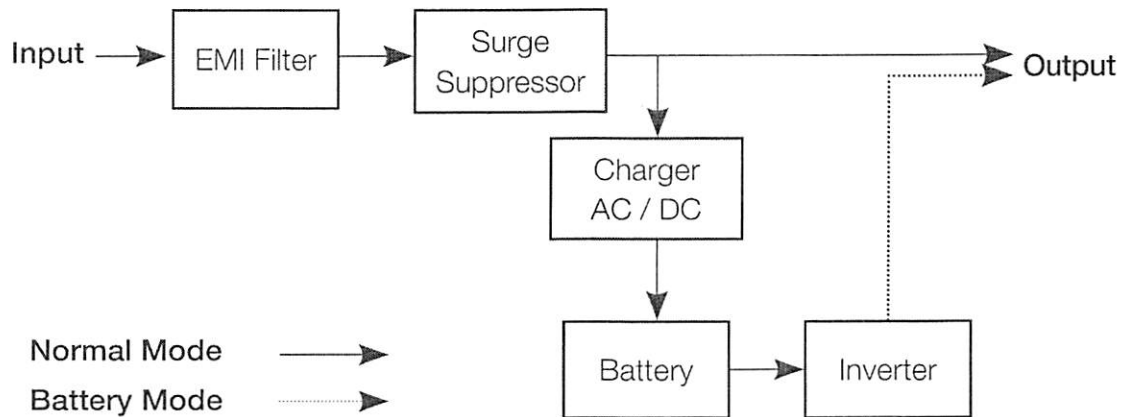
## Definitions For Illuminated LED Indicators

 Power ON	 Alarm	CONDITION
On	Off	Normal
Flash when Beeps	Beeps twice every 30 seconds	<b>Utility Failure - Battery Mode</b> The UPS is providing power to battery and surge protected outlets from its battery.
Flash when Beeps	Rapid Beeping every 1/2 second	<b>Utility Failure - Low Battery</b> The UPS is providing battery power. Rapid beeping indicates the unit will run out of power shortly.
On	Constant tone	<b>Overload</b> - Occurs when connected equipment exceeds the listed capacity of the UPS. Turn the UPS off, unplug at least one piece of equipment from battery outlets, reset the circuit breaker and turn the unit on.
Off	Constant tone	<b>Charge Fault</b> - In line mode, the battery charging voltage is too high or too low.
Off	Constant tone	<b>Utility Failure</b> - The frequency is beyond 47-63 Hz. The UPS will not turn on in line mode.

# Technical Specifications

Model	Standby UPS 400VA 255W, 6 Outlets
Capacity	400 VA / 255 W
Brownout Transfer	96 VAC typical
Over-Voltage Transfer	140 VAC typical
Nominal Input Voltage	120 VAC
On-Battery Output Voltage	120 VAC $\pm$ 8 %
On-Battery Output Frequency	50/60 Hz $\pm$ 1 %
Transfer Time	8 ms Typical
Max. Load for UPS Outlets (3 Outlets)	400 VA / 255 W
Max. Load for Full-Time Surge Protection outlets (6 Outlets)	10 Amps
On-Battery Output Wave Form	Simulated Sine Wave
Operating Temperature	+ 32 °F to 104 °F / 0 °C to 40 °C
Operating Relative Humidity	0 to 95 % non-condensing
Size (L x W x H)	7.2 x 4.3 x 3.2 in. (184 x 110 x 82 mm)
Net Weight	3.59 lbs (1.63 kg)
Typical Battery Recharge Time	8 hours typical from total discharge
Typical Battery Life	3 to 6 years, depending on number of discharge/ recharge cycles
Recommended Battery	Sealed Maintenance Free Lead Acid Battery
Safety Approvals	UL, cUL, FCC Class B, ICES-003: Class B, CEC

## System Function Block Diagram



# Troubleshooting

Problem	Possible Cause	Solution
Full-time surge protection outlets stop providing power to equipment. Circuit breaker button is projecting from the side of the unit.	Circuit breaker has tripped due to an overload.	Turn the UPS off and unplug at least one piece of equipment. Wait 10 seconds, reset the circuit breaker by pressing the button, and then turn the UPS on.
The UPS does not perform expected runtime.	Battery not fully charged.	Recharge the battery by leaving the UPS plugged in.
	Battery is worn out.	Please contact Amazon about replacement batteries.
The UPS will not turn on.	The on/off switch is designed to prevent damage from rapidly turning it off and on.	Turn the UPS off. Wait 10 seconds and then turn the UPS on.
	The unit is not connected to an AC outlet.	The unit must be connected to a 110/120 V 50/60 Hz outlet.
	The battery is worn out.	Please contact Amazon about replacement batteries.
	Mechanical problem.	Please contact Amazon.
	The frequency is outside of the operating range of 47-63 Hz.	Turn the UPS off. Make sure the frequency range is within 47-63 Hz. Or you can turn on with battery mode.